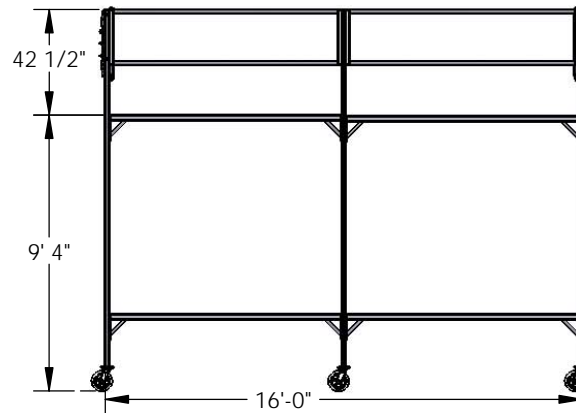
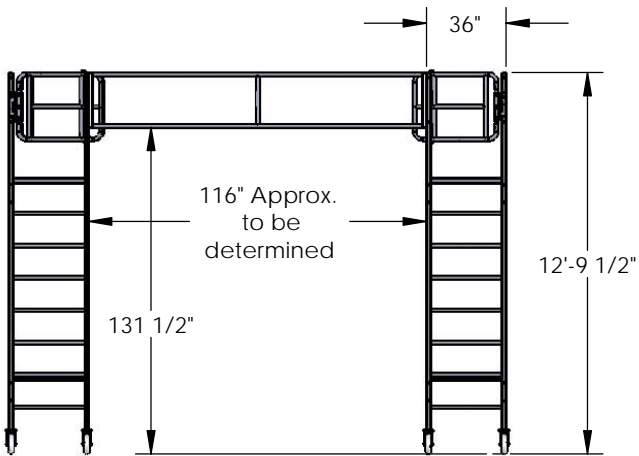
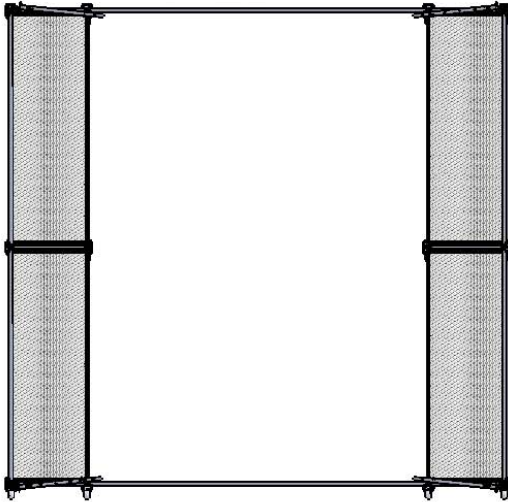


Specs for 16' long Bus Maintenance Scaffold

- Scaffold style ladder frames with powder coated finish made of high strength scaffold tube, with ladder rungs spaced to meet OSHA Standards.
- Steel Deck with expanded metal non slip surface.
- Guardrail system that comply to OSHA standards: including self closing swing gates, toeboards, top rails, midrails, etc.
- All connections are securely fastened together using Grade 5 or equivalent fasteners.
- Qualified welding practices.
- 8" casters with locking swivel and wheel brakes, non-marring.

All products manufactured and sold by Granite Industries will meet and exceed the requirements of ANSI Standards and when properly used will meet OSHA Standards.



Granite Industries Inc.
 Archbold, OH 43502
 Ph. 877-447-2648
 Fax 419-445-3304

DO NOT SCALE DRAWING

DWG# . SHEET . OF .